



# Lexmark C4150

Combining the capabilities of a workgroup printer with the ease of use of a personal output device, the C4150 features advanced security in a simple, intuitive design.

## Part Number

40C9063

## Print Technology

Color Laser

## Function

Colour Printing

## Workgroup Size

Medium-Large Workgroup

## Touch Screen Display

Yes

## Display

Lexmark e-Task 10.9 cm (4.3-inch) colour touch screen

## Print Speed (A4, Black)

Up to 47 ppm<sup>6</sup>

## Print Speed (A4, Colour)

Up to 47 ppm<sup>6</sup>

## Print Speed (A4, Black) Duplex

Up to 38 spm<sup>6</sup>

## Time to First Page (Black)

As fast as 5.0 seconds

## Time to First Page (Colour)

As fast as 5.5 seconds

## Duplex (2-sided) Printing

Integrated Duplex

## Print Resolution, Black

1200 x 1200 dpi, 4800 Colour Quality (2400 x 600 dpi)

## Print Resolution, Colour

1200 x 1200 dpi, 4800 Colour Quality (2400 x 600 dpi)

## Processor Speed

Quad Core 1.2 GHz

## Memory, Standard

1024 MB

## Memory, Maximum

3072 MB

## Hard Disk

Option available

## Apple Operating Systems Supported

Apple OS X (10.6, 10.7, 10.8, 10.9, 10.10, 10.11)

## Citrix MetaFrame

Microsoft Windows Server 2008 and 2008 X64 Edition with Citrix XenApp 5.0, Microsoft Windows Server 2008 R2 with Citrix XenApp 6.0, 6.5, Microsoft Windows Server 2012 with Citrix XenApp 6.0, 6.5

## Linux Operating Systems Supported

Debian GNU/Linux 7.0, 8.0, Fedora 21, 22, Linpus Linux Lite Desktop 2.1, Linux Mint 13 LTS, 17 LTS, 17.1 LTS, 17.2 LTS, Linux Mint 2 Debian, PCLinuxOS 2014.12, Red Hat Enterprise Linux WS 4, 5, 6, 7, SUSE Linux Enterprise Desktop 10, 11, 12, SUSE Linux Enterprise Server 10, 11, 12, Ubuntu 12.04 LTS, 14.04 LTS, 15.04, openSUSE 13.1, 13.2, openSUSE Tumbleweed

## Microsoft Windows Operating Systems Supported

Windows XP, Windows XP x64, Windows Vista, Windows Vista x64, Windows Server 2008, Windows Server 2008 x64, Windows 7, Windows 7 x64, Windows Server 2008 R2, Windows 8, Windows 8 x64, Windows Server 2012, Windows 8.1, Windows 8.1 x64, Windows Server 2012 R2, Windows RT, Windows RT 8.1, Windows 10

## Novell Operating Systems Supported

Novell NetWare 6.5 Open Enterprise Server, Novell Open Enterprise Server 2 on SUSE Linux Enterprise Server 10 SP4, Novell Open Enterprise Server 11 on SUSE Linux Enterprise Server 11

## UNIX Operating Systems Supported

Sun Solaris x86 10, 11, Sun Solaris SPARC 10, 11, IBM AIX 6.1, 7.1

## Included Paper Handling

550-Sheet Input, 100-Sheet Multipurpose Feeder, Integrated Duplex, 300-Sheet Output Bin

## Optional Paper Handling

550-Sheet Tray

## Paper Input Capacity, Standard

Up to 650 pages 75 gsm bond

## Paper Input Capacity, Maximum

Up to 2300 pages 75 gsm bond

## Paper Output Capacity, Standard

Up to 300 pages 75 gsm bond

## Paper Output Capacity, Maximum

Up to 300 pages 75 gsm bond

## Paper Weight Range Supported - Standard Tray (gsm)

60 - 218 gsm

## Paper Weight Range Supported - Multipurpose Feeder (gsm)

60 - 218 gsm

## Integrated Tray Card Stock Upper limit (grain long)

Index Bristol - 199 gsm (110 lb), Tag - 163 gsm (100 lb), Cover - 176 gsm (65 lb)

## Integrated Tray Card Stock Upper limit (grain short)

Index Bristol - 199 gsm (110 lb), Cover - 216 gsm (80 lb), Tag - 203 gsm (125 lb)

## Finishing Option

No

## Number of Paper Inputs, Standard

2

## Number of Paper Inputs, Maximum

5

## Media Types Supported

Card Stock, Envelopes, Paper Labels, Plain Paper, Vinyl Labels, Refer to the Card Stock & Label Guide., Banner Paper

## Media Sizes Supported

10 Envelope, 7 3/4 Envelope, 9 Envelope, A4, A5, B5 Envelope, C5 Envelope, DL Envelope, Executive, Folio, JIS-B5, Legal, Letter, Statement, Universal, Oficio, A6

## Caster Base

No

## Standard Ports

One Internal Card Slot, USB 2.0 Specification Hi-Speed Certified (Type B), Gigabit Ethernet (10/100/1000), Front USB 2.0 Specification Hi-Speed Certified port (Type A), Rear Hi-Speed USB port Compatible with USB 2.0 Specification (Type A)

## Optional Network Ports

Internal MarkNet N8360 802.11b/g/n Wireless, NFC

## Direct USB

Yes

## Ethernet Network

Yes

## Wireless

Wireless Option

## Network Protocol Support

TCP/IP IPv4, AppleTalk™, TCP/IP IPv6, TCP, UDP

## Network Printing Methods

LPR/LPD, Direct IP (Port 9100), Enhanced IP (Port 9400), Secure IP (Port 96xx), FTP, TFTP, ThinPrint .print integration, Telnet, IPP 1.0, 1.1, 2.0 (Internet Printing Protocol), Microsoft Web Services WSD, Pull Printing

## Network Management Protocols<sup>1</sup>

HTTP, HTTPS (SSL/TLS), SNMPv1, SNMPv2c, SNMPv3, WINS, IGMP, BOOTP, RARP, APIPA (AutoIP), DHCP, ICMP, DNS, Bonjour, DDNS, mDNS, ARP, NTP, Telnet, Finger,

## Network Security

SNMPv3, 802.1x Authentication: MD5, MSCHAPv2, LEAP, PEAP, TLS, TTLS, IPSec

## Printable Area (metric)

4.2 mm of the top, bottom, right and left edges (within)

## Printer Languages (Standard)

PCL 5c Emulation, PCL 6 Emulation, Personal Printer Data Stream (PPDS), PostScript 3 Emulation, Direct Image, Microsoft XPS (XML Paper Specification), AirPrint™, PDF 1.7 emulation

## Fonts and Symbol Sets

3 of 9 scalable PCL 5e fonts in Narrow, Regular and Wide, 2 PCL bitmap fonts, 39 scalable PPDS fonts, 84 scalable PCL fonts, OCR-A, OCR-B scalable PCL 5e fonts, For more information, refer to the Technical Reference., 165 scalable PostScript fonts, 15 PPDS bitmap fonts

**Laser Cartridge Yields (up to)<sup>5</sup>**

10,000-page Colour (CMY) High Yield Cartridges, , 16,000-page Black High Yield Cartridge

**Imaging Unit Estimated Yield**

Up to 150000 pages, based on 3 average letter/A4-size pages per print job and ~ 5% coverage<sup>4</sup>

**Cartridge(s) Shipping with Product**

7,000-page Black and Colour (CMYK) Return Program Toner Cartridges

**Replacement Cartridges:**

Product functions only with replacement cartridges designed for use in a specific geographical region. See [www.lexmark.com/](http://www.lexmark.com/) regions for more details.

**Packaged Size (mm - H x W x D)**

568 x 643 x 738 mm

**Packaged Weight (kg)**

41.9 kg

**Size (mm - H x W x D)**

417 x 475 x 499 mm

**Weight (kg)**

36.3 kg

**Noise Level, Idle**

15 dBA

**Noise Level (Print), Operating**

53 dBA

**Duplex Print Noise Level, Operating**

55 dBA

**Quiet Mode**

47 dBA

**ENERGY STAR**

Yes

**Average Power (Hibernate Mode)**

0.3 watts

**Average Power (Sleep Mode)**

2.4 watts

**Average Power (Ready Mode)**

80 watts

**Average Power (Printing)**

680 watts

**Average Power while Printing Duplex**

570 watts

**ENERGY STAR Typical Electricity Consumption (TEC)**

2.3 kilowatt-hours per week

**Product Guarantee**

1-year Onsite Service + 3-years Parts Only guarantee (Maintenance Kit included)

**Product Certifications**

ENERGY STAR, ICES-003 Class B, BSMI Class B, VCCI Class B, FCC Class B, NOM-032, UL, cUL, NOM, US FDA/CDRH, IEC 60825-1, CB Report, ISO-532B, CE (EU) DoC, EFTA (CE), KC logo, CCC, C-tick DoC, EuP, CECP, CEL, EC 1275/2008, ECMA-370, TED, SII, TER, SABS, UL-AR, GS Mark, Green Dot, ISO-9296, COC, CCD-035 EcoLogo, Green Mark, EPEAT

**Maximum Monthly Duty Cycle**

Up to 150000 pages per month<sup>3</sup>

**Recommended Monthly Page Volume**

2000 - 20000 pages<sup>2</sup>

**Specified Operating Environment**

Humidity: 15 to 80% Relative Humidity,  
Temperature: 10 to 32°C, Altitude: 0 - 2896 Meters (9,500 Feet)

**License/Agreement Terms**

Printers are sold subject to certain license/ agreement conditions. See [www.lexmark.com/](http://www.lexmark.com/) printerlicense for details.

**Country of Origin**

China (PR)

**UNSPSC Code**

43212110

<sup>1</sup>This product includes software developed by the OpenSSL Project for use in the OpenSSL Toolkit. (<http://www.openssl.org/>)

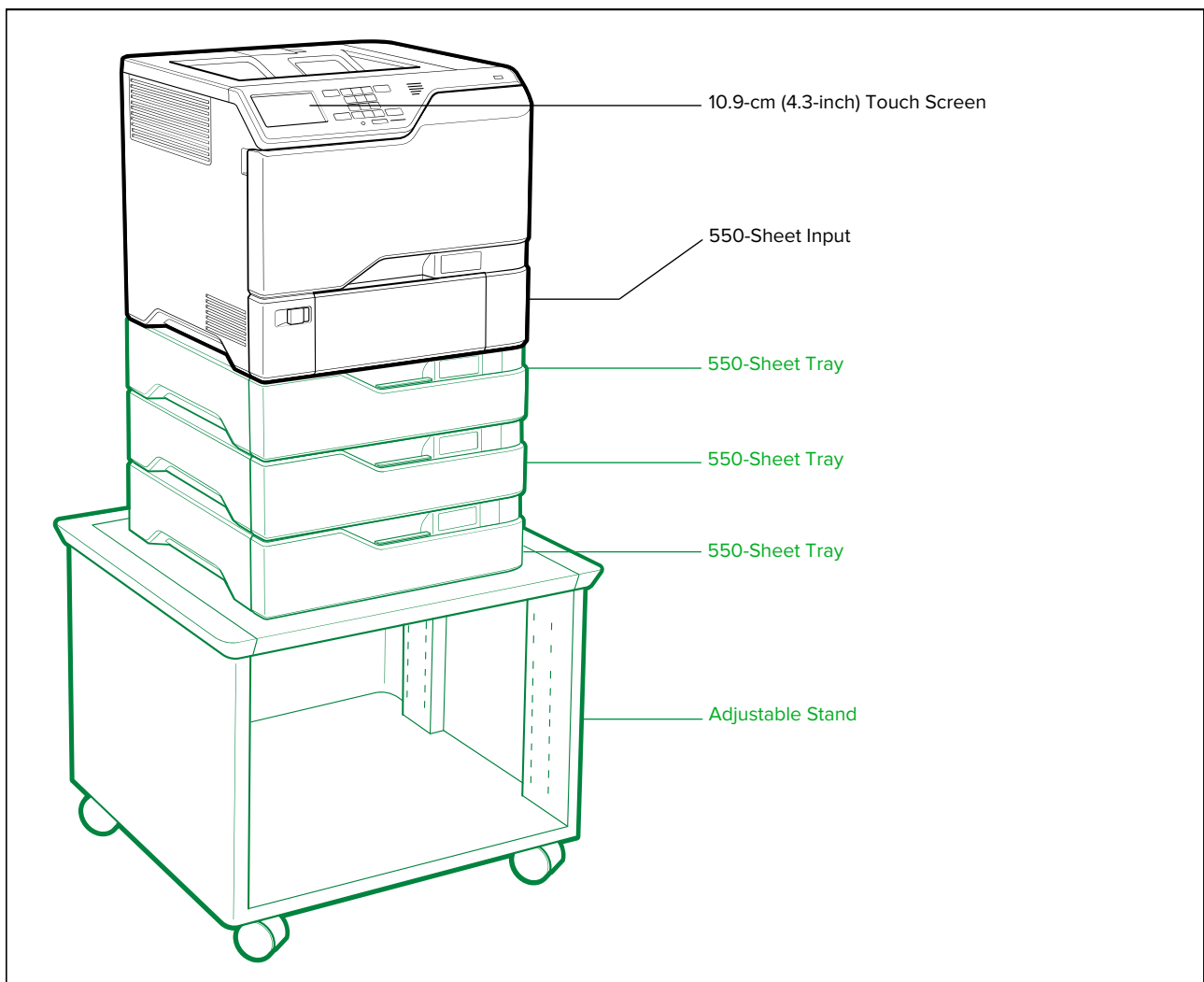
<sup>2</sup>"Recommended Monthly Page Volume" is a range of pages that helps customers evaluate Lexmark's product offerings based on the average number of pages customers plan to print on the device each month. Lexmark recommends that the number of pages per month be within the stated range for optimum device performance, based on factors including: supplies replacement intervals, paper loading intervals, speed, and typical customer usage.

<sup>3</sup>"Maximum Monthly Duty Cycle" is defined as the maximum number of pages a device could deliver in a month using a multishift operation. This metric provides a comparison of robustness in relation to other Lexmark printers and MFPs.

<sup>4</sup>Actual Yield may vary based on other factors such as device speed, paper size and feed orientation, toner coverage, tray source, percentage of black-only printing and average print job complexity.

<sup>5</sup>Average yield at approximately 5% print coverage per colour.

<sup>6</sup>Print and copy speeds measured in accordance with ISO/IEC 24734 and ISO/IEC 24735 respectively (ESAT). For more information see: [www.lexmark.com/ISOspeeds](http://www.lexmark.com/ISOspeeds).



- Standard
- Optional

P/N	Toner Cartridges	P/N	Application Solutions	P/N	User Replaceable Parts
74C0ZK0	CS720, CS725, CX725 Black Return Programme Imaging Unit	40C9200	Forms and Bar Code Card	41X0956	Pick Roller Assembly
74C0ZV0	CS720, CS725, CX725 Colour (CMY) Return Programme Imaging Kit	40C9202	Card for PRESCRIBE Emulation	41X0556	Fuser Maintenance Kit 220-240V, Type 01
74C0W00	Waste Toner Bottle	57X0300	Contact Authentication Device	41X0253	Fuser 220-240V, Type 01
24B6519	C4150 Black Toner Cartridge	57X0301	Contactless Authentication Device	41X0374	Separator Bracket Assembly
24B6516	C4150 Cyan Toner Cartridge	57X0085	Lexmark Secure Element		
24B6517	C4150 Magenta Toner Cartridge				
24B6518	C4150 Yellow Toner Cartridge				
P/N	Paper Handling	P/N	Connectivity	P/N	Installation Service
40C2100	550-Sheet Tray	27X0803	MarkNet N8360 Wireless Print Server plus NFC	2355254	Standard Installation Service
		27X0802	CS72X, CX72x Lexmark MarkNet™ N8230 Fibre Ethernet Print Server		
		1021294	USB (2 Meter) Cable		
		SPD0002	Surge Protective Device, 220-240V		
P/N	Furniture	P/N	Service Parts		
40C2300	Adjustable Stand			40X9929	Image Transfer Unit
P/N	Memory Options	P/N	Extended Warranties		
27X0400	320+ GB Hard Disk	2360573	C4150 1-Year Renewal Parts Only Guarantee with Maintenance kit		
57X9020	2GB x32 DDR3 RAM	2360577	C4150 Upgrade to Parts and Labour, Total 4 years (1+3)		
57X9801	256MB Flash Memory Card	2360579	C4150 1-Year Renewal Parts and Labour with Maintenance kit		
57X9814	Korean Font Card	2360583	C4150 Upgrade to Onsite Service, Total 4 years (1+3)		
57X9815	Japanese Font Card	2360585	C4150 1-Year Renewal Onsite Service with Maintenance kit		
57X9812	Simplified Chinese Font Card				
57X9810	Traditional Chinese Font Card				
P/N	Application Solutions				
40C9201	Card for IPDS				