



Lexmark XC8155de

The Lexmark XC8155de colour A4 MFP is the right combination of A3 level speed and features to maximise your profitability in high usage placements.

Part Number

42K1437

Print Technology

Color Laser

Function

Colour Copying, Colour Faxing, Colour Printing, Color Scanning, Colour Network Scanning

Workgroup Size

Medium-Large Workgroup

Touch Screen Display

Yes

Display

Lexmark e-Task 10-inch (25 cm) class color touch screen

Print Speed (A4, Black)

Up to 52 ppm⁶

Print Speed (A4, Colour)

Up to 52 ppm⁶

Print Speed (A4, Black) Duplex

Up to 52 spm⁶

Time to First Page (Black)

As fast as 8 seconds

Time to First Page (Colour)

As fast as 9 seconds

Duplex (2-sided) Printing

Integrated Duplex

Print Resolution, Black

1200 x 1200 dpi, 4800 Colour Quality (2400 x 600 dpi)

Print Resolution, Colour

1200 x 1200 dpi, 4800 Colour Quality (2400 x 600 dpi)

Copy Speed (A4, Black)

Up to 52 cpm⁶

Copy Speed (A4, Colour)

Up to 52 cpm⁶

Time to First Copy (Black)

As fast as 6.5 seconds

Time to First Copy (Colour)

As fast as 7.0 seconds

Reduce / Enlarge Range

25 - 400 %

A4/Ltr Simplex Scan Speed (Black)

Up to 57 / 60 Sides per minute

A4/Ltr Simplex Scan Speed (Colour)

Up to 57 / 60 Sides per minute

A4/Ltr Duplex Scan Speed (Black)

Up to 114 / 120 Sides per minute

A4/Ltr Duplex Scan Speed (Colour)

Up to 114 / 120 Sides per minute

Scan Area, Maximum (mm)

216 x 355 mm

ADF Scan

DADF (single pass Duplex)

Scanner Type

Flatbed scanner with ADF

Scan Technology

CCD

Optical Scanning Resolution

1200 X 600 ppi

Scan File Formats (Send as)

JPEG, JPG, PDF, Secure PDF, TIFF, XPS, Archival PDF (A-1a, A-1b), Searchable PDF (optional OCR with 1GB RAM and hard disk required), Highly compressed PDF (1GB RAM and hard disk required)

Scan Destinations

e-mail, FTP, USB Flash drive, USB or Network connected computer, Lexmark Document Solutions Suite (LDSS)

Modem Speed

ITU T.30, V.34 Half-Duplex, 33.6 Kbps

Fax Transmission Speed

< 3 seconds per page

Processor Speed

Quad Core 1.6 GHz

Memory, Standard

2048 MB

Memory, Maximum

4096 MB

Hard Disk

Included in configuration

Apple Operating Systems Supported

Apple OS X (10.6, 10.7, 10.8, 10.9, 10.10, 10.11)

Citrix MetaFrame

Microsoft Windows Server 2008 and 2008 X64 Edition with Citrix XenApp 5.0, Microsoft Windows Server 2008 R2 with Citrix XenApp 6.0, 6.5, Microsoft Windows Server 2012 with Citrix XenApp 6.0, 6.5

Linux Operating Systems Supported

Debian GNU/Linux 7.0, 8.0, Fedora 21, 22, Linpus Linux Lite Desktop 2.1, Linux Mint 13 LTS, 17 LTS, 17.1 LTS, 17.2 LTS, Linux Mint 2 Debian, PCLinuxOS 2014.12, Red Hat Enterprise Linux WS 4, 5, 6, 7, SUSE Linux Enterprise Desktop 10, 11, 12, SUSE Linux Enterprise Server 10, 11, 12, Ubuntu 12.04 LTS, 14.04 LTS, 15.04, openSUSE 13.1, 13.2, openSUSE Tumbleweed

Microsoft Windows Operating Systems Supported

Windows XP, Windows XP x64, Windows Vista, Windows Vista x64, Windows Server 2008, Windows Server 2008 x64, Windows 7, Windows 7 x64, Windows Server 2008 R2, Windows 8, Windows 8 x64, Windows Server 2012, Windows 8.1, Windows 8.1 x64, Windows Server 2012 R2, Windows RT, Windows RT 8.1, Windows 10

Novell Operating Systems Supported

Novell NetWare 6.5 Open Enterprise Server, Novell Open Enterprise Server 2 on SUSE Linux Enterprise Server 10 SP4, Novell Open Enterprise Server 11 on SUSE Linux Enterprise Server 11

UNIX Operating Systems Supported

Sun Solaris x86 10, 11, Sun Solaris SPARC 10, 11, IBM AIX 6.1, 7.1

Included Paper Handling

550-Sheet Input, 100-Sheet Multipurpose Feeder, Integrated Duplex, 500-Sheet Output Bin

Optional Paper Handling

550-Sheet Tray, Staple Punch Finisher, Inline Stapler, 2200-Sheet Tray

Paper Input Capacity, Standard

Up to 650 pages 75 gsm bond

Paper Input Capacity, Maximum

Up to 4500 pages 75 gsm bond

Paper Output Capacity, Standard

Up to 500 pages 75 gsm bond

Paper Output Capacity, Maximum

Up to 1950 pages 75 gsm bond

Paper Weight Range Supported - Standard Tray (gsm)

60 - 176 gsm

Paper Weight Range Supported - Multipurpose Feeder (gsm)

60 - 176 gsm

Integrated Tray Card Stock Upper limit (grain short)

Cover - 300 gsm (110 lb), Index Bristol - 300 gsm (166 lb), Tag - 300 gsm (184 lb)

ADF

150-Sheet Automatic Document Feeder

ADF Paper Input Capacity

Up to 150 pages 75 gsm bond

ADF Paper Output Capacity

Up to 150 pages 75 gsm bond

Finishing Option

Yes

Finishing Functions

Offset stacking, Stapling, Hole punching

Number of Paper Inputs, Standard

2

Number of Paper Inputs, Maximum

6

Media Types Supported

Card Stock, Dual Web Labels, Envelopes, Labels, Plain Paper, Polyester Labels, Vinyl Labels, Refer to the Card Stock & Label Guide., Banner Paper

Media Sizes Supported

10 Envelope, 7 3/4 Envelope, 9 Envelope, A4, A5, B5 Envelope, C4 Envelope, C5 Envelope, DL Envelope, Index Card, Executive, Folio, JIS-B5, Legal, Letter, 4 x 6", Statement, Universal, Oficio, A6

Caster Base

Optional

Standard Ports

One Internal Card Slot, USB 2.0 Specification Hi-Speed Certified (Type B), Gigabit Ethernet (10/100/1000), Two Rear USB 2.0 Specification Hi-Speed Certified ports (Type A), Two Front USB 2.0 Specification Hi-Speed Certified port (Type A)

Optional Network Ports

Internal MarkNet N8360 802.11b/g/n Wireless, NFC

Direct USB

Yes

Ethernet Network

Yes

Wireless

Wireless Option

Network Protocol Support

TCP/IP IPv4, TCP/IP IPv6, TCP, UDP

Network Printing Methods

LPR/LPD, Direct IP (Port 9100), Enhanced IP (Port 9400), Secure IP (Port 96xx), FTP, TFTP, ThinPrint .print integration, Telnet, IPP 1.0, 1.1, 2.0 (Internet Printing Protocol), Microsoft Web Services WSD, Pull Printing

Network Management Protocols¹

HTTP, HTTPs (SSL/TLS), SNMPv1, SNMPv2c, SNMPv3, WINS, IGMP, BOOTP, RARP, APIPA (AutoIP), DHCP, ICMP, DNS, Bonjour, DDNS, mDNS, ARP, NTP, Telnet, Finger,

Network Security

SNMPv3, 802.1x Authentication: MD5, MSCHAPv2, LEAP, PEAP, TLS, TTLS, IPsec

Printable Area (metric)

4.2 mm of the top, bottom, right and left edges (within)

Printer Languages (Standard)

PCL 5c Emulation, PCL 6 Emulation, Personal Printer Data Stream (PPDS), PostScript 3 Emulation, Direct Image, Microsoft XPS (XML Paper Specification), AirPrint™, PDF 1.7 emulation

Fonts and Symbol Sets

3 of 9 scalable PCL 5e fonts in Narrow, Regular and Wide, 2 PCL bitmap fonts, 39 scalable PPDS fonts, 84 scalable PCL fonts, OCR-A, OCR-B scalable PCL 5e fonts, For more information, refer to the Technical Reference., 165 scalable PostScript fonts, 15 PPDS bitmap fonts

Laser Cartridge Yields (up to)⁵

, 25,000-page Black Extra High Yield Cartridge, 20,000-page Colour (CMY) Extra High Yield Cartridges

Photoconductor Estimated Yield

Up to 175000 pages, based on 3 average letter/A4-size pages per print job and ~ 5% coverage⁴

Cartridge(s) Shipping with Product

17,000-page Colour (CMY) High Yield Return Program Toner Cartridges, 25,000-page Black Extra High Yield Return Program Cartridge

Replacement Cartridges:

Product functions only with replacement cartridges designed for use in a specific geographical region. See www.lexmark.com/ regions for more details.

Packaged Size (mm - H x W x D)

1053 x 760 x 760 mm

Packaged Weight (kg)

96.36 kg

Size (mm - H x W x D)

813 x 559 x 588 mm

Weight (kg)

83.2 kg

Noise Level, Idle

16 dBA

Noise Level (Print), Operating

56 dBA

Duplex Print Noise Level, Operating

57 dBA

Noise Level (Copy), Operating

59 dBA

Noise Level (Scan), Operating

56 dBA

Quiet Mode

52 dBA

ENERGY STAR

Yes

Average Power (Hibernate Mode)

0.3 watts

Average Power (Sleep Mode)

3.4 watts

Average Power (Ready Mode)

125 watts

Average Power (Printing)

825 watts

Average Power while Printing Duplex

775 watts

Average Power (Copying)

650 watts

Average Power (Scanning)

110 watts

ENERGY STAR Typical Electricity

Consumption (TEC)

3.3 kilowatt-hours per week

Product Guarantee

1-year Onsite Service + 3-years Parts Only guarantee (Maintenance Kit included)

Product Certifications

ENERGY STAR, ICES-003 Class A, BSMI Class A, VCCI Class A, FCC Class A, NOM-032, UL, cUL, NOM, US FDA/CDRH, IEC 60825-1, CB Report, ISO-532B, CE (EU) DoC, EFTA (CE), KC logo, CCC, C-tick DoC, EuP, CECP, CEL, EC 1275/2008, ECMA-370, TED, SII, TER, SABS, UL-AR, GS Mark, Green Dot, ISO-9296, COC, CCD-035 EcoLogo, Green Mark, EPEAT, Blue Angel (Blauer Engel)

Maximum Monthly Duty Cycle

Up to 250000 pages per month³

Recommended Monthly Page Volume

3000 - 30000 pages²

Specified Operating Environment

Humidity: 15 to 80% Relative Humidity, Temperature: 10 to 32°C, Altitude: 0 - 2896 Meters (9,500 Feet)

License/Agreement Terms

Printers are sold subject to certain license/agreement conditions. See www.lexmark.com/ printerlicense for details.

Country of Origin

China (PR)

UNSPSC Code

43212110

Developer Unit(s) Estimated Yield

Up to 300000 pages, based on 3 average letter/A4-size pages per print job and ~ 5% coverage

¹This product includes software developed by the OpenSSL Project for use in the OpenSSL Toolkit. (<http://www.openssl.org/>)

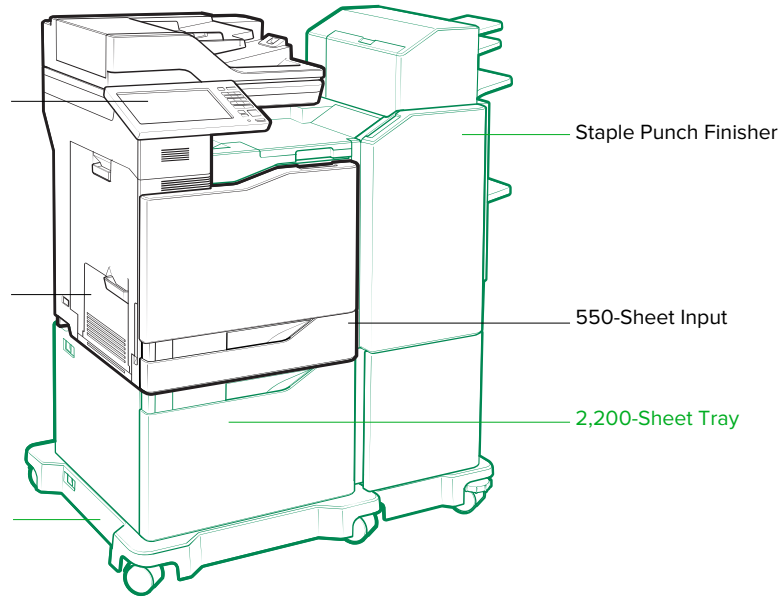
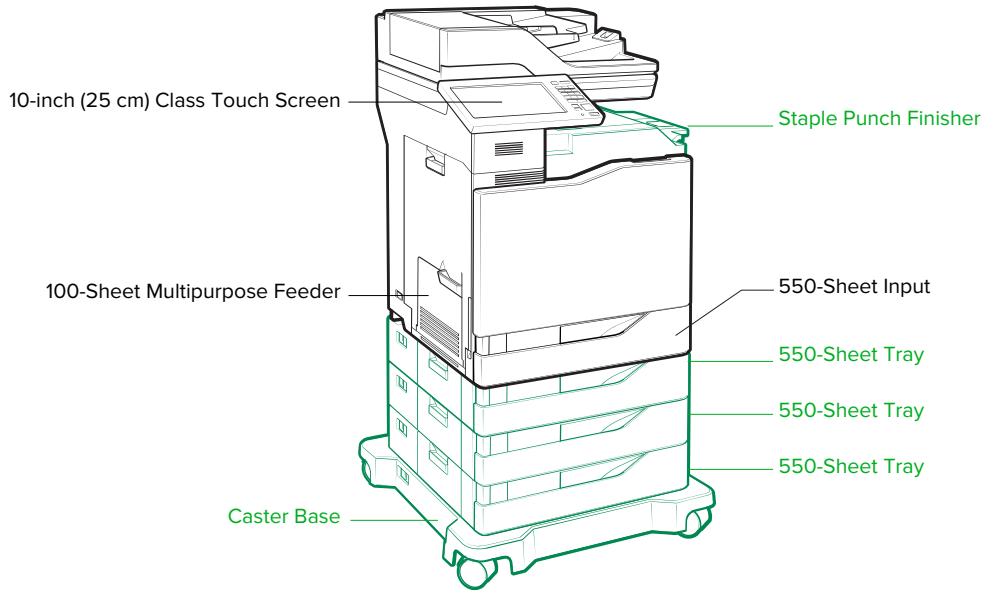
²"Recommended Monthly Page Volume" is a range of pages that helps customers evaluate Lexmark's product offerings based on the average number of pages customers plan to print on the device each month. Lexmark recommends that the number of pages per month be within the stated range for optimum device performance, based on factors including: supplies replacement intervals, paper loading intervals, speed, and typical customer usage.

³"Maximum Monthly Duty Cycle" is defined as the maximum number of pages a device could deliver in a month using a multishift operation. This metric provides a comparison of robustness in relation to other Lexmark printers and MFPs.

⁴Actual Yield may vary based on other factors such as device speed, paper size and feed orientation, toner coverage, tray source, percentage of black-only printing and average print job complexity.

⁵Average yield at approximately 5% print coverage per colour.

⁶Print and copy speeds measured in accordance with ISO/IEC 24734 and ISO/IEC 24735 respectively (ESAT). For more information see: www.lexmark.com/ISOspeeds.



- Standard
- Optional

P/N	Toner Cartridges	P/N	Extended Warranties
72K0DC0	Cyan Return Programme Developer Unit	2360427	XC8155 Upgrade to Onsite Service, Total 4 years (1+3)
72K0DM0	Magenta Return Programme Developer Unit	2360429	XC8155 1-Year Renewal Onsite Service with Maintenance kit
72K0DY0	Yellow Return Programme Developer Unit		
P/N	User Replaceable Parts		
72K0W00	Waste Toner Bottle	41X0247	Fuser 220-240V
24B6511	XC6152, XC8155 Black Toner Cartridge	41X0245	Transfer Module
24B6508	XC6152, XC8155 Cyan Toner Cartridge	41X0154	Transfer Roller
24B6509	XC6152, XC8155 Magenta Toner Cartridge	41X0993	Media Pick Roller
24B6510	XC6152, XC8155 Yellow Toner Cartridge	41X0360	ADF Separation Roller
72K0FK0	Black Return Programme Developer and Photoconductor Unit Pack	41X0358	ADF Media Pick Roller
72K0FV0	Colour (CMY) Return Programme Developer Kit and Photoconductors Pack	41X0359	ADF Feed Belt
25A0013	Staple Cartridges (3 pack)	41X0931	ADF Maintenance Kit
72K0P00	Photoconductor – 1 Pack	41X0929	Fuser Maintenance Kit 220-240V
72K0Q00	Photoconductor – 3 Pack		
72K0DK0	Black Return Programme Developer Unit	P/N	Installation Service
72K0DV0	Colour (CMY) Return Programme Developer Kit	2355254	Standard Installation Service
P/N	Paper Handling		
42K1587	CX825, CX860 Multi-position Staple Punch Finisher (HV Tall)		
42K1257	CX825, CX860 Multi-position Staple Punch Finisher (S-HV)		
21K0567	550-Sheet Tray		
21K0237	2200-Sheet Tray		
42K2300	CX825, CX860 Inline Staple Finisher		
P/N	Furniture		
40C2300	Adjustable Stand		
21K2501	Caster Base		
P/N	Memory Options		
27X0400	320+ GB Hard Disk		
57X9022	2GB x64 DDR3 RAM		
57X9801	256MB Flash Memory Card		
57X9814	Korean Font Card		
57X9815	Japanese Font Card		
57X9812	Simplified Chinese Font Card		
57X9810	Traditional Chinese Font Card		
P/N	Application Solutions		
21K0127	Forms and Bar Code Card		
21K0128	Card for IPDS		
21K0129	Card for PRESCRIBE Emulation		
57X0300	Contact Authentication Device		
57X0301	Contactless Authentication Device		
57X0085	Lexmark Secure Element		
P/N	Connectivity		
57X7020	English Keyboard Kit		
27X0309	MarkNet N8360 Wireless Print Server plus NFC		
57X7021	French Keyboard Kit		
57X7023	German Keyboard Kit		
57X7022	Italian Keyboard Kit		
57X7024	Spanish Keyboard Kit		
27X0142	Lexmark MarkNet™ N8230 Fibre Ethernet Print Server		
1021294	USB (2 Meter) Cable		
SPD0002	Surge Protective Device, 220-240V		
P/N	Extended Warranties		
2360417	XC8155 1-Year Renewal Parts Only Guarantee with Maintenance kit		
2360421	XC8155 Upgrade to Parts and Labour, Total 4 years (1+3)		
2360423	XC8155 1-Year Renewal Parts and Labour with Maintenance kit		