



# Lexmark XC4150

The Lexmark XC4150 offers workgroup-level printing performance and advanced scanning capabilities in a feature-rich package that's as easy to use as a personal output device.

## Part Number

40C9605

## Print Technology

Color Laser

## Function

Colour Copying, Colour Faxing, Colour Printing, Colour Scanning, Colour Network Scanning

## Workgroup Size

Medium-Large Workgroup

## Touch Screen Display

Yes

## Display

Lexmark e-Task 17.8 cm (7-inch) colour touch screen

## Print Speed (A4, Black)

Up to 47 ppm<sup>6</sup>

## Print Speed (A4, Colour)

Up to 47 ppm<sup>6</sup>

## Print Speed (A4, Black) Duplex

Up to 38 spm<sup>6</sup>

## Time to First Page (Black)

As fast as 5.0 seconds

## Time to First Page (Colour)

As fast as 5.5 seconds

## Duplex (2-sided) Printing

Integrated Duplex

## Print Resolution, Black

1200 x 1200 dpi, 4800 Colour Quality (2400 x 600 dpi)

## Print Resolution, Colour

1200 x 1200 dpi, 4800 Colour Quality (2400 x 600 dpi)

## Copy Speed (A4, Black)

Up to 47 cpm<sup>6</sup>

## Copy Speed (A4, Colour)

Up to 47 cpm<sup>6</sup>

## Time to First Copy (Black)

As fast as 6.5 seconds

## Time to First Copy (Colour)

As fast as 7.0 seconds

## Reduce / Enlarge Range

25 - 400 %

## A4/Ltr Simplex Scan Speed (Black)

Up to 56 / 60 Sides per minute

## A4/Ltr Simplex Scan Speed (Colour)

Up to 56 / 60 Sides per minute

## A4/Ltr Duplex Scan Speed (Black)

Up to 26 / 28 Sides per minute

## A4/Ltr Duplex Scan Speed (Colour)

Up to 26 / 28 Sides per minute

## Scan Area, Maximum (mm)

216 x 355 mm

## ADF Scan

RADF (reversing Duplex)

## Scanner Type

Flatbed scanner with ADF

## Scan Technology

CCD

## Optical Scanning Resolution

300 X 300 dpi (colour), 600 X 600 ppi (black)

## Scan File Formats (Send as)

JPEG, JPG, PDF, Secure PDF, TIFF, XPS, Archival PDF (A-1a, A-1b), Searchable PDF (optional OCR with 1GB RAM and hard disk required), Highly compressed PDF (1GB RAM and hard disk required)

## Scan Destinations

e-mail, FTP, USB Flash drive, USB or Network connected computer, Lexmark Document Solutions Suite (LDSS)

## Modem Speed

ITU T.30, V.34 Half-Duplex, 33.6 Kbps

## Fax Transmission Speed

< 3 seconds per page

## Processor Speed

Quad Core 1.2 GHz

## Memory, Standard

2048 MB

## Memory, Maximum

4096 MB

## Hard Disk

Included in configuration

## Apple Operating Systems Supported

Apple OS X (10.6, 10.7, 10.8, 10.9, 10.10, 10.11)

## Citrix MetaFrame

Microsoft Windows Server 2008 and 2008 X64 Edition with Citrix XenApp 5.0, Microsoft Windows Server 2008 R2 with Citrix XenApp 6.0, 6.5, Microsoft Windows Server 2012 with Citrix XenApp 6.0, 6.5

## Linux Operating Systems Supported

Debian GNU/Linux 7.0, 8.0, Fedora 21, 22, Linpus Linux Lite Desktop 2.1, Linux Mint 13 LTS, 17 LTS, 17.1 LTS, 17.2 LTS, Linux Mint 2 Debian, PCLinuxOS 2014.12, Red Hat Enterprise Linux WS 4, 5, 6, 7, SUSE Linux Enterprise Desktop 10, 11, 12, SUSE Linux Enterprise Server 10, 11, 12, Ubuntu 12.04 LTS, 14.04 LTS, 15.04, openSUSE 13.1, 13.2, openSUSE Tumbleweed

## Microsoft Windows Operating Systems Supported

Windows XP, Windows XP x64, Windows Vista, Windows Vista x64, Windows Server 2008, Windows Server 2008 x64, Windows 7, Windows 7 x64, Windows Server 2008 R2, Windows 8, Windows 8 x64, Windows Server 2012, Windows 8.1, Windows 8.1 x64, Windows Server 2012 R2, Windows RT, Windows RT 8.1, Windows 10

## Novell Operating Systems Supported

Novell NetWare 6.5 Open Enterprise Server, Novell Open Enterprise Server 2 on SUSE Linux Enterprise Server 10 SP4, Novell Open Enterprise Server 11 on SUSE Linux Enterprise Server 11

## UNIX Operating Systems Supported

Sun Solaris x86 10, 11, Sun Solaris SPARC 10, 11, IBM AIX 6.1, 7.1

## Included Paper Handling

550-Sheet Input, 100-Sheet Multipurpose Feeder, Integrated Duplex, 300-Sheet Output Bin

## Optional Paper Handling

550-Sheet Tray

## Paper Input Capacity, Standard

Up to 650 pages 75 gsm bond

## Paper Input Capacity, Maximum

Up to 2300 pages 75 gsm bond

## Paper Output Capacity, Standard

Up to 300 pages 75 gsm bond

## Paper Output Capacity, Maximum

Up to 300 pages 75 gsm bond

## Paper Weight Range Supported - Standard Tray (gsm)

60 - 218 gsm

## Paper Weight Range Supported - Multipurpose Feeder (gsm)

60 - 218 gsm

## Integrated Tray Card Stock Upper limit (grain long)

Index Bristol - 199 gsm (110 lb), Tag - 163 gsm (100 lb), Cover - 176 gsm (65 lb)

## Integrated Tray Card Stock Upper limit (grain short)

Index Bristol - 199 gsm (110 lb), Cover - 216 gsm (80 lb), Tag - 203 gsm (125 lb)

## ADF

50-Sheet Automatic Document Feeder

## ADF Paper Input Capacity

Up to 50 pages 75 gsm bond

## ADF Paper Output Capacity

Up to 50 pages 75 gsm bond

## Finishing Option

No

## Number of Paper Inputs, Standard

2

## Number of Paper Inputs, Maximum

5

## Media Types Supported

Card Stock, Envelopes, Paper Labels, Plain Paper, Vinyl Labels, Refer to the Card Stock & Label Guide., Banner Paper

## Media Sizes Supported

10 Envelope, 7 3/4 Envelope, 9 Envelope, A4, A5, B5 Envelope, C5 Envelope, DL Envelope, Executive, Folio, JIS-B5, Legal, Letter, Statement, Universal, Oficio, A6

**Caster Base**

No

**Standard Ports**

One Internal Card Slot, USB 2.0 Specification Hi-Speed Certified (Type B), Gigabit Ethernet (10/100/1000), Front USB 2.0 Specification Hi-Speed Certified port (Type A), Rear Hi-Speed USB port Compatible with USB 2.0 Specification (Type A)

**Optional Network Ports**

Internal MarkNet N8360 802.11b/g/n Wireless, NFC

**Direct USB**

Yes

**Ethernet Network**

Yes

**Wireless**

Wireless Option

**Network Protocol Support**

TCP/IP IPv4, TCP/IP IPv6, TCP, UDP

**Network Printing Methods**

LPR/LPD, Direct IP (Port 9100), Enhanced IP (Port 9400), Secure IP (Port 96xx), FTP, TFTP, Telnet, IPP 1.0, 1.1, 2.0 (Internet Printing Protocol), Microsoft Web Services WSD, Pull Printing

**Network Management Protocols<sup>1</sup>**

HTTP, HTTPs (SSL/TLS), SNMPv1, SNMPv2c, SNMPv3, WINS, IGMP, BOOTP, RARP, APIPA (AutoIP), DHCP, ICMP, DNS, Bonjour, DDNS, mDNS, ARP, NTP, Telnet, Finger,

**Network Security**

SNMPv3, 802.1x Authentication: MD5, MSCHAPv2, LEAP, PEAP, TLS, TTLS, IPsec

**Printable Area (metric)**

4.2 mm of the top, bottom, right and left edges (within)

**Printer Languages (Standard)**

PCL 5c Emulation, PCL 6 Emulation, Personal Printer Data Stream (PPDS), PostScript 3 Emulation, Direct Image, Microsoft XPS (XML Paper Specification), AirPrint™, PDF 1.7 emulation

**Fonts and Symbol Sets**

3 of 9 scalable PCL 5e fonts in Narrow, Regular and Wide, 2 PCL bitmap fonts, 39 scalable PPDS fonts, 84 scalable PCL fonts, OCR-A, OCR-B scalable PCL 5e fonts, For more information, refer to the Technical Reference., 165 scalable PostScript fonts, 15 PPDS bitmap fonts

**Laser Cartridge Yields (up to)<sup>5</sup>**

, 20,000-page Black High Yield Cartridge, 13,000-page Colour (CMY) High Yield Cartridges

**Imaging Unit Estimated Yield**

Up to 150000 pages, based on 3 average letter/A4-size pages per print job and ~ 5% coverage<sup>4</sup>

**Cartridge(s) Shipping with Product**

7,000-page Black and Colour (CMYK) Return Program Toner Cartridges

**Replacement Cartridges:**

Product functions only with replacement cartridges designed for use in a specific geographical region. See [www.lexmark.com/](http://www.lexmark.com/) regions for more details.

**Packaged Size (mm - H x W x D)**

955 x 700 x 735 mm

**Packaged Weight (kg)**

64 kg

**Size (mm - H x W x D)**

648 x 505 x 533 mm

**Weight (kg)**

44.9 kg

**Noise Level, Idle**

16 dBA

**Noise Level (Print), Operating**

53 dBA

**Duplex Print Noise Level, Operating**

55 dBA

**Noise Level (Copy), Operating**

56 dBA

**Noise Level (Scan), Operating**

53 dBA

**Quiet Mode**

48 dBA

**ENERGY STAR**

Yes

**Average Power (Hibernate Mode)**

0.2 watts

**Average Power (Sleep Mode)**

2.6 watts

**Average Power (Ready Mode)**

100 watts

**Average Power (Printing)**

700 watts

**Average Power while Printing Duplex**

600 watts

**Average Power (Copying)**

460 watts

**Average Power (Scanning)**

85 watts

**ENERGY STAR Typical Electricity****Consumption (TEC)**

2.4 kilowatt-hours per week

**Product Guarantee**

1-year Onsite Service + 3-years Parts Only guarantee (Maintenance Kit included)

**Product Certifications**

ENERGY STAR, ICES-003 Class B, BSMI Class B, VCCI Class B, FCC Class B, NOM-032, UL, cUL, NOM, US FDA/CDRH, IEC 60825-1, CB Report, ISO-532B, CE (EU) DoC, EFTA (CE), KC logo, CCC, C-tick DoC, EuP, CECP, CEL, EC 1275/2008, ECMA-370, TED, SII, TER, SABS, UL-AR, GS Mark, Green Dot, ISO-9296, COC, CCD-035 EcoLogo, Green Mark, EPEAT

**Maximum Monthly Duty Cycle**Up to 150000 pages per month<sup>3</sup>**Recommended Monthly Page Volume**2000 - 20000 pages<sup>2</sup>**Specified Operating Environment**

Humidity: 8 to 80% Relative Humidity, Temperature: 10 to 32°C, Altitude: 0 - 2896 Meters (9,500 Feet)

**License/Agreement Terms**

Printers are sold subject to certain license/ agreement conditions. See [www.lexmark.com/](http://www.lexmark.com/) printerlicense for details.

**Country of Origin**

China (PR)

**UNSPSC Code**

43212110

<sup>1</sup>This product includes software developed by the OpenSSL Project for use in the OpenSSL Toolkit. (<http://www.openssl.org/>)

<sup>2</sup>"Recommended Monthly Page Volume" is a range of pages that helps customers evaluate Lexmark's product offerings based on the average number of pages customers plan to print on the device each month. Lexmark recommends that the number of pages per month be within the stated range

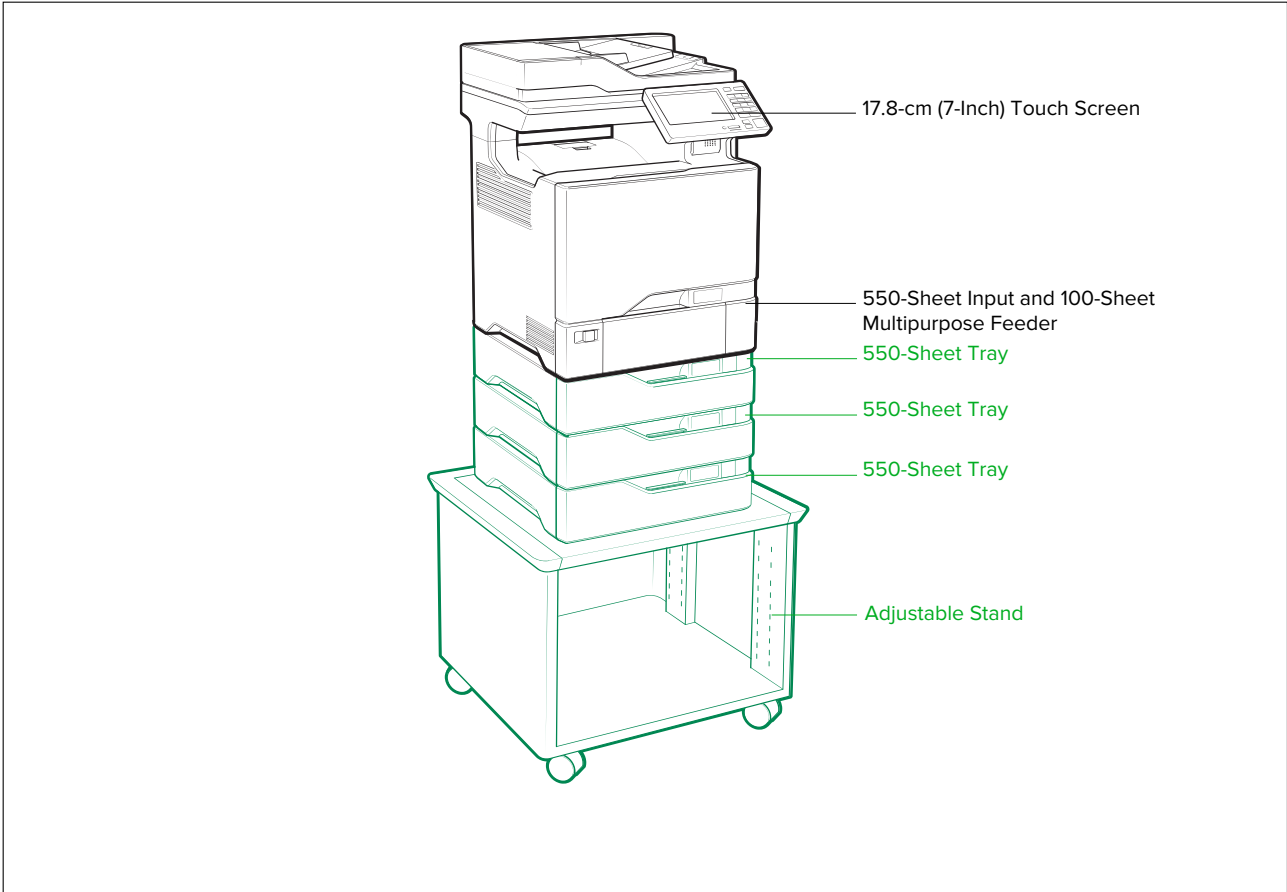
for optimum device performance, based on factors including: supplies replacement intervals, paper loading intervals, speed, and typical customer usage.

<sup>3</sup>"Maximum Monthly Duty Cycle" is defined as the maximum number of pages a device could deliver in a month using a multishift operation. This metric provides a comparison of robustness in relation to other Lexmark printers and MFPs.

<sup>4</sup>Actual Yield may vary based on other factors such as device speed, paper size and feed orientation, toner coverage, tray source, percentage of black-only printing and average print job complexity.

<sup>5</sup>Average yield at approximately 5% print coverage per colour.

<sup>6</sup>Print and copy speeds measured in accordance with ISO/ IEC 24734 and ISO/IEC 24735 respectively (ESAT). For more information see: [www.lexmark.com/ISOspeeds](http://www.lexmark.com/ISOspeeds).



- Standard
- Optional

**P/N Toner Cartridges**

---

|         |   |
|---------|---|
| 74C0ZK0 | CS720, CS725, CX725 Black Return Programme Imaging Unit       |
| 74C0ZV0 | CS720, CS725, CX725 Colour (CMY) Return Programme Imaging Kit |
| 74C0W00 | Waste Toner Bottle  |
| 24B6720 | XC4150 Black Toner Cartridge                                  |
| 24B6717 | XC4150 Cyan Toner Cartridge                                   |
| 24B6718 | XC4150 Magenta Toner Cartridge                                |
| 24B6719 | XC4150 Yellow Toner Cartridge                                 |

**P/N Paper Handling**

---

|         |                |
|---------|----------------|
| 40C2100 | 550-Sheet Tray |
|---------|----------------|

**P/N Furniture**

---

|         |                  |
|---------|------------------|
| 40C2300 | Adjustable Stand |
|---------|------------------|

**P/N Memory Options**

---

|         |                               |
|---------|-------------------------------|
| 57X9020 | 2GB x32 DDR3 RAM              |
| 57X9801 | 256MB Flash Memory Card       |
| 57X9814 | Korean Font Card              |
| 57X9815 | Japanese Font Card            |
| 57X9812 | Simplified Chinese Font Card  |
| 57X9810 | Traditional Chinese Font Card |

**P/N Application Solutions**

---

|         |                                   |
|---------|-----------------------------------|
| 40C9201 | Card for IPDS                     |
| 40C9200 | Forms and Bar Code Card           |
| 40C9202 | Card for PRESCRIBE Emulation      |
| 57X0300 | Contact Authentication Device     |
| 57X0301 | Contactless Authentication Device |
| 57X0085 | Lexmark Secure Element            |

**P/N Connectivity**

---

|         |   |
|---------|---|
| 27X0803 | MarkNet N8360 Wireless Print Server plus NFC                    |
| 27X0802 | CS72X, CX72x Lexmark MarkNet™ N8230 Fibre Ethernet Print Server |
| 1021294 | USB (2 Meter) Cable   |
| SPD0002 | Surge Protective Device, 220-240V                               |

**P/N Extended Warranties**

---

|         |   |
|---------|---|
| 2360625 | XC4140, XC4150 1-Year Renewal Parts Only Guarantee with Maintenance kit |
| 2360629 | XC4140, XC4150 Upgrade to Parts and Labour, Total 4 years (1+3)         |
| 2360631 | XC4140, XC4150 1-Year Renewal Parts and Labour with Maintenance kit     |
| 2360635 | XC4140, XC4150 Upgrade to Onsite Service, Total 4 years (1+3)           |
| 2360637 | XC4140, XC4150 1-Year Renewal Onsite Service with Maintenance kit       |

**P/N User Replaceable Parts**

---

|         |   |
|---------|---|
| 41X0917 | ADF Separator Roll                      |
| 41X0956 | Pick Roller Assembly                    |
| 41X0556 | Fuser Maintenance Kit 220-240V, Type 01 |
| 41X0253 | Fuser 220-240V, Type 01                 |
| 41X0374 | Separator Bracket Assembly              |

**P/N Installation Service**

---

|         |                               |
|---------|-------------------------------|
| 2355254 | Standard Installation Service |
|---------|-------------------------------|

**P/N Service Parts**

---

|         |                     |
|---------|---------------------|
| 40X9929 | Image Transfer Unit |
| 40X8736 | ADF pick roll       |