



Lexmark XC2130

The Lexmark XC2130 MFP Series colour laser desktop printer does more than deliver PANTONE® colour matching and fast print, fax, copy and scan speeds, it offers optional solutions to help streamline your business.

Part Number

3084942

Print Technology

Color Laser

Function

Colour Copying, Colour Faxing, Colour Printing, Color Scanning

Workgroup Size

Small-Medium Workgroup

Touch Screen Display

Yes

Display

Lexmark e-Task 10.9 cm (4.3-inch) colour touch screen

Print Speed (A4, Black)

Up to 30 ppm⁶

Print Speed (A4, Colour)

Up to 30 ppm⁶

Print Speed (A4, Black) Duplex

Up to 15 spm⁶

Print Speed (A4, Colour) Duplex

Up to 15 spm⁶

Time to First Page (Black)

As fast as 10.5 seconds

Time to First Page (Colour)

As fast as 11.5 seconds

Duplex (2-sided) Printing

Integrated Duplex

Print Resolution, Black

1200 x 1200 dpi, 4800 Colour Quality (2400 x 600 dpi)

Print Resolution, Colour

1200 x 1200 dpi, 4800 Colour Quality (2400 x 600 dpi)

Copy Speed (A4, Black)

Up to 30 cpm⁶

Copy Speed (A4, Colour)

Up to 30 cpm⁶

Copy Speed (A4, Black) Duplex

Up to 15 spm⁶

Copy Speed (A4, Colour) Duplex

Up to 15 spm⁶

Time to First Copy (Black)

As fast as 10.8 seconds

Time to First Copy (Colour)

As fast as 11.6 seconds

Reduce / Enlarge Range

25 - 400 %

A4/Ltr Simplex Scan Speed (Black)

Up to 30 / 32 Sides per minute

A4/Ltr Simplex Scan Speed (Colour)

Up to 30 / 32 Sides per minute

A4/Ltr Duplex Scan Speed (Black)

Up to 13 / 14 Sides per minute

A4/Ltr Duplex Scan Speed (Colour)

Up to 13 / 14 Sides per minute

Scan Area, Maximum (mm)

215.9 x 355.6 mm

ADF Scan

RADF (reversing Duplex)

Scanner Type

Flatbed scanner with ADF

Scan Technology

CCD

Optical Scanning Resolution

up to 600 X 600 ppi (color), up to 1200 X 600 ppi (black)

Scan File Formats (Send as)

JPEG, JPG, PDF, Secure PDF, TIFF, XPS, Archival PDF (A-1a, A-1b)

Scan Destinations

e-mail, FTP, USB Flash drive, USB or Network connected computer, Lexmark Document Solutions Suite (LDSS)

Modem Speed

ITU T.30, V.34 Half-Duplex, 33.6 Kbps

Fax Transmission Speed

< 3 seconds per page

Processor

Dual Core, 800 MHz

Memory, Standard

512 MB

Memory, Maximum

2560 MB

Hard Disk

Not Available

Apple Operating Systems Supported

Apple OS X (10.5, 10.6, 10.7, 10.8, 10.9, 10.10)

Citrix MetaFrame

Microsoft Windows Server 2003 x64 running Terminal Services with Citrix Presentation Server 4.0 x64, 4.5 x64, Microsoft Windows Server 2003 running Terminal Services with Citrix Presentation Server 4.0, 4.5, Microsoft Windows Server 2003 and 2003 X64 Edition with Citrix XenApp 5.0, Microsoft Windows Server 2008 and 2008 X64 Edition with Citrix XenApp 5.0, Microsoft Windows Server 2008 R2 with Citrix XenApp 6.0

Linux Operating Systems Supported

SUSE Linux Enterprise Server 10, 11, SUSE Linux Enterprise Desktop 10, 11, Red Flag Linux Desktop 6.0, Linpus Linux Desktop 9.6, Debian GNU/Linux 5.0, 6.0, Red Hat Enterprise Linux WS 4.0, 5.0, 6.0, Ubuntu 11.04, 11.10, 12.04, 12.10, openSUSE 11.3, 11.4, 12.1, 12.2, PCLinuxOS 2011, Mint 9, 10, 11, 12, 13, Fedora 14, 15, 16, 17

Microsoft Windows Operating Systems Supported

Windows XP, Windows Server 2003, Windows XP x64, Windows Server 2003 x64, Windows Vista, Windows Vista x64, Windows Server 2008, Windows Server 2008 x64, Windows 7, Windows 7 x64, Windows Server 2008 R2, Windows 8, Windows 8 x64, Windows Server 2012, Windows 8.1, Windows 8.1 x64, Windows Server 2012 R2, Windows RT, Windows RT 8.1

Novell Operating Systems Supported

Novell NetWare 6.5 Open Enterprise Server, Novell NetWare 5.1(SP 6+), 6.0(SP 3+) with Novell Distributed Print Services (NDPS), Novell Open Enterprise Server on SUSE Linux Enterprise Server

UNIX Operating Systems Supported

HP-UX 11.11, 11.23, 11.31, Sun Solaris SPARC 9, 10, 11, Sun Solaris x86 10, 11, IBM AIX 5.3, 6.1, 7.1

Included Paper Handling

250-Sheet Input, 150-Sheet Output Bin, Integrated Duplex, Single-Sheet Manual Feed

Optional Paper Handling

550-Sheet Tray, 550-Sheet Duo Tray with 100-Sheet Feeder

Paper Input Capacity, Standard

Up to 250+1 pages 75 gsm bond

Paper Input Capacity, Maximum

Up to 1450+1 pages 75 gsm bond

Paper Output Capacity, Standard

Up to 150 pages 75 gsm bond

Paper Output Capacity, Maximum

Up to 150 pages 75 gsm bond

Paper Weight Range Supported - Standard Tray (gsm)

60 - 176 gsm

Integrated Tray Card Stock Upper limit (grain long)

Index Bristol - 120 gsm (67 lb), Tag - 120 gsm (74 lb), Cover - 135 gsm (50 lb)

ADF

50-Sheet Automatic Document Feeder

ADF Paper Input Capacity

Up to 50 pages 75 gsm bond

ADF Paper Output Capacity

Up to 50 pages 75 gsm bond

Finishing Option

No

Number of Paper Inputs, Standard

1

Number of Paper Inputs, Maximum

4

Media Types Supported

Card Stock, Paper Labels, Plain Paper, Transparencies, Refer to the Card Stock & Label Guide.

Media Sizes Supported

A4, A5, Executive, Folio, JIS-B5, Legal, Letter, Universal, Oficio

Standard Ports

USB 2.0 Specification Hi-Speed Certified (Type B), Gigabit Ethernet (10/100/1000), Front USB 2.0 Specification Hi-Speed Certified port (Type A)

Optional Network Ports

MarkNet N8352 802.11b/g/n Wireless

Direct USB

Yes

Ethernet Network

Yes

Network Protocol Support

TCP/IP IPv4, AppleTalk™, TCP/IP IPv6, TCP, UDP

Network Printing Methods

LPR/LPD, Direct IP (Port 9100), Enhanced IP (Port 9400), FTP, TFTP, ThinPrint .print integration, Telnet, IPP 1.0, 1.1, 2.0 (Internet Printing Protocol), Microsoft Web Services WSD, Pull Printing

Network Management Protocols¹

HTTP, HTTPS (SSL/TLS), SNMPv1, SNMPv2c, SNMPv3, WINS, IGMP, BOOTP, RARP, APIPA (AutoIP), DHCP, ICMP, DNS, DDNS, mDNS, ARP, NTP, Telnet, Finger,

Network Security

SNMPv3, 802.1x Authentication: MD5, MSCHAPv2, LEAP, PEAP, TLS, TTLS, IPsec

Printable Area (metric)

4.2 mm of the top, bottom, right and left edges (within)

Printer Languages (Standard)

PCL 5c Emulation, PCL 6 Emulation, Personal Printer Data Stream (PPDS), PostScript 3 Emulation, Direct Image, Microsoft XPS (XML Paper Specification), AirPrint™, PDF 1.7 emulation

Fonts and Symbol Sets

3 of 9 scalable PCL 5e fonts in Narrow, Regular and Wide, 158 scalable PostScript fonts, 2 PCL bitmap fonts, 39 scalable PPDS fonts, 5 PPDS bitmap fonts, 84 scalable PCL fonts, OCR-A, OCR-B scalable PCL 5e fonts, For more information, refer to the Technical Reference.

Laser Cartridge Yields (up to)⁵

3,000-page Colour (CMY) Extra High Yield Cartridges, 6,000-page Black Extra High Yield Cartridge,

Photoconductor Estimated Yield

Up to 40,000 pages, based on 3 average letter/A4-size pages per print job and ~ 5% coverage⁴

Cartridge(s) Shipping with Product

1,400-page Black and Colour (CMYK) Starter Return Program Toner Cartridges

Packaged Size (mm - H x W x D)

567 x 558 x 594 mm

Packaged Weight (kg)

31.43 kg

Size (mm - H x W x D)

470 x 444 x 558 mm

Weight (kg)

27.39 kg

Noise Level, Idle

16 dBA

Noise Level (Print), Operating

49 dBA

Duplex Print Noise Level, Operating

51 dBA

Noise Level (Copy), Operating

50 dBA

Noise Level (Scan), Operating

50 dBA

Quiet Mode

44 dBA

ENERGY STAR

Yes

Average Power (Hibernate Mode)

0.5 watts

Average Power (Sleep Mode)

3 watts

Average Power (Ready Mode)

35 watts

Average Power (Printing)

600 watts

Average Power while Printing Duplex

380 watts

Average Power (Copying)

640 watts

Average Power (Scanning)

55 watts

ENERGY STAR Typical Electricity**Consumption (TEC)**

2.6 kilowatt-hours per week

Product Guarantee

1-year Onsite Service + 3-years Parts Only guarantee (Maintenance Kit included)

Product Certifications

ENERGY STAR, Blue Angel RAL-UZ-171, ICES-003 Class B, BSMI Class B, VCCI Class B, US FDA, UL 60950-1, FCC Class B, cUL CAN/CSA-C22.2 60950-1, CB EN/IEC 60950-1, CB EN/IEC 60825-1, CE DoC (EN 62301 Class B, EN 62311, CE EN/IEC 60950-1, CE EN/IEC 60825-1, EN 61000-3, EN 55022 Class B, EN 55024, UL), EFTA (CE), KCC, CCC, CECP, CEL, C-tick DoC, UL-AR, KC mark, UL GS mark, EC 1275, MET-I, ISO 532B, ECMA-370, GOST-R, SIL, TER

Maximum Monthly Duty Cycle

Up to 75000 pages per month³

Recommended Monthly Page Volume

800 - 6000 pages²

Specified Operating Environment

Temperature: 16 to 32°C (60 to 90°F), Humidity: 8 to 80% Relative Humidity, Altitude: 0 - 2896 Meters (9,500 Feet)

License/Agreement Terms

Printers are sold subject to certain license/agreement conditions. See www.lexmark.com/printerlicense for details.

Country of Origin

China (PR)

UNSPSC Code

43212110

¹This product includes software developed by the OpenSSL Project for use in the OpenSSL Toolkit. (<http://www.openssl.org/>)

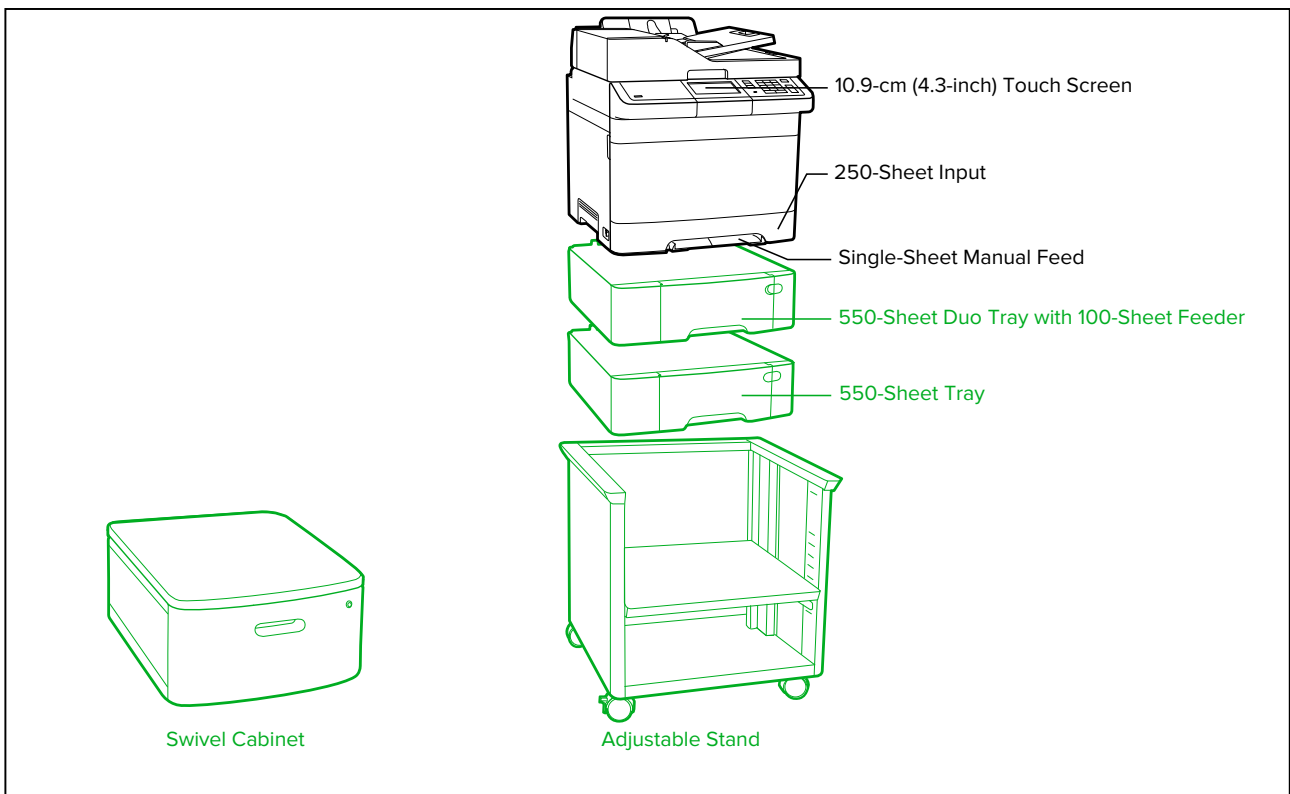
²"Recommended Monthly Page Volume" is a range of pages that helps customers evaluate Lexmark's product offerings based on the average number of pages customers plan to print on the device each month. Lexmark recommends that the number of pages per month be within the stated range for optimum device performance, based on factors including: supplies replacement intervals, paper loading intervals, speed, and typical customer usage.

³"Maximum Monthly Duty Cycle" is defined as the maximum number of pages a device could deliver in a month using a multishift operation. This metric provides a comparison of robustness in relation to other Lexmark printers and MFPs.

⁴Actual Yield may vary based on other factors such as device speed, paper size and feed orientation, toner coverage, tray source, percentage of black-only printing and average print job complexity.

⁵Average yield at approximately 5% print coverage per colour.

⁶Print and copy speeds measured in accordance with ISO/IEC 24734 and ISO/IEC 24735 respectively (ESAT). For more information see: www.lexmark.com/ISOspeeds.



■ Standard

■ Optional

P/N Toner Cartridges

| | |
|----------|------------------------------------|
| C540X75G | Waste Toner Bottle (18K) |
| 70C0Z50 | 700Z5 Black and Colour Imaging Kit |
| 70C0Z10 | 700Z1 Black Imaging Kit |
| 70C0P00 | 700P Photoconductor Unit |
| 70C0D20 | 700D2 Cyan Developer Unit |
| 70C0D30 | 700D3 Magenta Developer Unit |
| 70C0D40 | 700D4 Yellow Developer Unit |
| 70C0D10 | 700D1 Black Developer Unit |
| 24B6011 | Black Toner Cartridge |
| 24B6008 | Cyan Toner Cartridge |
| 24B6009 | Magenta Toner Cartridge |
| 24B6010 | Yellow Toner Cartridge |

P/N Paper Handling

| | |
|---------|--|
| 38C0626 | 550-Sheet Duo Tray with 100-Sheet Feeder |
| 38C0636 | 550-Sheet Tray |

P/N Furniture

| | |
|---------|------------------|
| 3073173 | Swivel Cabinet |
| 35S8502 | Adjustable Stand |

P/N Memory Options

| | |
|---------|-------------------------------|
| 57X9016 | 1024MBx32 DDR3-DRAM |
| 57X9012 | 2048MBx32 DDR3-DRAM |
| 57X9101 | 256MB Flash Memory Card |
| 57X9110 | Traditional Chinese Font Card |
| 57X9112 | Simplified Chinese Font Card |
| 57X9114 | Korean Font Card |
| 57X9115 | Japanese Font Card |

P/N Application Solutions

| | |
|---------|------------------------------------|
| 38C5052 | CX410 Forms and Bar Code Card |
| 38C5053 | CX410 Card for PRESCRIBE Emulation |

P/N Connectivity

| | |
|---------|---------------------|
| 1021294 | USB (2 Meter) Cable |
|---------|---------------------|

P/N Connectivity

| | |
|---------|---|
| 27X0125 | MarkNet N8352 802.11b/g/n Wireless Print Server Kit |
| 27X0135 | MarkNet N8352 Wireless Print Server plus NFC |
| SPD0002 | Surge Protective Device, 220-240V |

P/N Extended Warranties

| | |
|---------|---|
| 2359712 | XC2130 1-Year Renewal Parts and Labour with Maintenance kit |
| 2359529 | XC2130 1-Year Renewal Parts Only Guarantee with Maintenance kit |
| 2359710 | XC2130 Upgrade to Parts and Labour, Total 4 years (1+3) |
| 2357992 | XC2130 Upgrade to Onsite Service, Total 4 years (1+3) |
| 2359578 | XC2130 1-Year Renewal Onsite Service with Maintenance kit |

P/N User Replaceable Parts

| | |
|---------|-------------------|
| 40X5168 | Pick Tire |
| 40X9110 | ADF Pick Roll pad |

P/N Installation Service

| | |
|---------|-------------------------------|
| 2355251 | Standard Installation Service |
|---------|-------------------------------|

P/N Service Parts

| | |
|---------|---------------------------------|
| 40X7616 | Fuser Maintenance kit, 220-240V |
| 40X7610 | Image Transfer Unit |
| 40X7623 | Fuser, 220-240V |
| 40X9108 | ADF Separator Roller |