



# Lexmark M1140+

The Lexmark M1140+ provides more enterprise-worthy speed, reliability and convenience. Enhance productivity and save time with 2-sided printing and networking, too.

**Part Number**

3084699

**Print Technology**

Monochrome Laser

**Workgroup Size**

Small Workgroup

**Touch Screen Display**

No

**Display**

6 cm (2.4 inch) colour LCD display

**Print Speed (A4, Black)**

Up to 38 ppm<sup>6</sup>

**Print Speed (A4, Black) Duplex**

Up to 16 spm<sup>6</sup>

**Time to First Page (Black)**

As fast as 6.5 seconds

**Duplex (2-sided) Printing**

Integrated Duplex

**Print Resolution, Black**

1200 Image Quality, 1200 x 1200 dpi, 2400 Image Quality, 600 x 600 dpi

**Processor**

Dual Core, 800 MHz

**Memory, Standard**

256 MB

**Memory, Maximum**

256 MB

**Hard Disk**

Not Available

**Apple Operating Systems Supported**

Apple OS X (10.6, 10.7, 10.8, 10.9, 10.10)

**Citrix MetaFrame**

Microsoft Windows Server 2003 running Terminal Services with Citrix Presentation Server 3.0, 4.0, 4.5, Microsoft Windows Server 2003 x64 running Terminal Services with Citrix Presentation Server 4.0 x64, 4.5 x64, Microsoft Windows Server 2003 and 2003 X64 Edition with Citrix XenApp 5.0, Microsoft Windows Server 2008 and 2008 X64 Edition with Citrix XenApp 5.0, Microsoft Windows Server 2008 R2 with Citrix XenApp 6.0, 6.5

**Linux Operating Systems Supported**

SUSE Linux Enterprise Server 10, 11, SUSE Linux Enterprise Desktop 10, 11, Red Hat Linux Desktop 6.0, Linpus Linux Desktop 9.6, Debian GNU/Linux 5.0, 6.0, Red Hat Enterprise Linux WS 4.0, 5.0, 6.0, Ubuntu 11.04, 11.10, 12.04, 12.10, openSUSE 11.3, 11.4, 12.1, 12.2, PCLinuxOS 2011, Mint 9, 10, 11, 12, 13, Fedora 16, 17, 18

**Microsoft Windows Operating Systems Supported**

Windows XP, Windows Server 2003, Windows XP x64, Windows Server 2003 x64, Windows Vista, Windows Vista x64, Windows Server 2008, Windows Server 2008 x64, Windows 7, Windows 7 x64, Windows Server 2008 R2, Windows 8, Windows 8 x64, Windows Server 2012, Windows 8.1, Windows 8.1 x64, Windows Server 2012 R2, Windows RT, Windows RT 8.1

**Novell Operating Systems Supported**

Novell NetWare 6.5 Open Enterprise Server, Novell NetWare 5.1(SP 6+), 6.0(SP 3+) with Novell Distributed Print Services (NDPS), Novell Open Enterprise Server on SUSE Linux Enterprise Server

**UNIX Operating Systems Supported**

HP-UX 11.11, 11.23, 11.31, Sun Solaris SPARC 9, 10, 11, Sun Solaris x86 10, 11, IBM AIX 5.3, 6.1, 7.1

**Included Paper Handling**

250-Sheet Input, 50-Sheet Multipurpose Feeder, 150-Sheet Output Bin, Integrated Duplex

**Optional Paper Handling**

250-Sheet Tray, 550-Sheet Tray, 550-Sheet Lockable Tray

**Paper Input Capacity, Standard**

Up to 300 pages 75 gsm bond

**Paper Input Capacity, Maximum**

Up to 850 pages 75 gsm bond

**Paper Output Capacity, Standard**

Up to 150 pages 75 gsm bond

**Paper Output Capacity, Maximum**

Up to 150 pages 75 gsm bond

**Paper Weight Range Supported - Standard Tray (gsm)**

60 - 90 gsm

**Paper Weight Range Supported - Multipurpose Feeder (gsm)**

60 - 163 gsm

**Finishing Option**

No

**Number of Paper Inputs, Standard**

2

**Number of Paper Inputs, Maximum**

3

**Media Types Supported**

Card Stock, Envelopes, Paper Labels, Plain Paper, Transparencies, Refer to the Card Stock & Label Guide.

**Media Sizes Supported**

10 Envelope, 7 3/4 Envelope, 9 Envelope, A4, A5, DL Envelope, Executive, Folio, JIS-B5, Legal, Letter, Statement, Universal, Oficio, A6

**Standard Ports**

Centronics IEEE 1284 Bidirectional Parallel, USB 2.0 Specification Hi-Speed Certified (Type B), Gigabit Ethernet (10/100/1000)

**Optional Network Ports**

MarkNet N8352 802.11b/g/n Wireless

**Direct USB**

No

**Ethernet Network**

Yes

**Network Protocol Support**

TCP/IP IPv4, AppleTalk™, TCP/IP IPv6, TCP, UDP

**Network Printing Methods**

LPR/LPD, Direct IP (Port 9100), Enhanced IP (Port 9400), FTP, TFTP, ThinPrint .print integration, IPP 1.0, 1.1, 2.0 (Internet Printing Protocol), Microsoft Web Services WSD, Pull Printing

**Network Management Protocols<sup>1</sup>**

HTTP, HTTPs (SSL/TLS), SNMPv1, SNMPv2c, SNMPv3, WINS, IGMP, APIPA (AutoIP), DHCP, ICMP, DNS, Bonjour, DDNS, mDNS, ARP, NTP, Telnet, Finger,

**Network Security**

SNMPv3, 802.1x Authentication: MD5, MSCHAPv2, LEAP, PEAP, TLS, TTLS, IPSec

**Printable Area (metric)**

4.0 mm of the top, bottom, right and left edges (within)

**Printer Languages (Standard)**

PCL 5e Emulation, PCL 6 Emulation, Personal Printer Data Stream (PPDS), PostScript 3 Emulation, Direct Image, Microsoft XPS (XML Paper Specification), AirPrint™, PDF 1.7 emulation

**Fonts and Symbol Sets**

3 of 9 scalable PCL 5e fonts in Narrow, Regular and Wide, 2 PCL bitmap fonts, 39 scalable PPDS fonts, 5 PPDS bitmap fonts, 84 scalable PCL fonts, OCR-A, OCR-B scalable PCL 5e fonts, For more information, refer to the Technical Reference., 91 scalable PostScript fonts

**Laser Cartridge Yields (up to)<sup>5</sup>**

10,000-page High Yield Cartridge,

**Imaging Unit Estimated Yield**

Up to 60000 pages, based on 3 average letter/A4-size pages per print job and ~ 5% coverage<sup>4</sup>

**Cartridge(s) Shipping with Product**

3,000-page Starter Return Program Toner Cartridge

**Packaged Size (mm - H x W x D)**

380 x 432 x 472 mm

**Packaged Weight (kg)**

16.0 kg

**Size (mm - H x W x D)**

263 x 399 x 382 mm

**Weight (kg)**

14.2 kg

**Noise Level, Idle**

15 dBA

**Noise Level (Print), Operating**

54 dBA

**Duplex Print Noise Level, Operating**

54 dBA

**Quiet Mode**

50 dBA

**ENERGY STAR**

Yes

**Average Power (Hibernate Mode)**

0.5 watts

**Average Power (Sleep Mode)**

3 watts

**Average Power (Ready Mode)**

7 watts

**Average Power (Printing)**

560 watts

**Average Power while Printing Duplex**

380 watts

**ENERGY STAR Typical Electricity****Consumption (TEC)**

1.8 kilowatt-hours per week

**Product Guarantee**

1-year Onsite Service + 3-years Parts Only guarantee (Maintenance Kit included)

**Product Certifications**

ENERGY STAR, Blue Angel RAL-UZ-171, ICES-003 Class B, BSMI Class B, VCCI Class B, US FDA, UL 60950-1, FCC Class B, cUL CAN/CSA-C22.2 60950-1, NOM, CB EN/IEC 60950-1, CB EN/IEC 60825-1, CE DoC (EN 62301 Class B, EN 62311, CE EN/IEC 60950-1, CE EN/IEC 60825-1, EN 61000-3, EN 55022 Class B, EuP, EN 55024, UL), EFTA (CE), KCC, CCC, CECP, CEL, C-tick DoC, UL-AR, KC mark, UL GS mark, EC 1275, MET-I, ISO 532B, ECMA-370, TED, GOST-R, SII, TER

**Maximum Monthly Duty Cycle**

Up to 100000 pages per month<sup>3</sup>

**Recommended Monthly Page Volume**

750 - 7200 pages<sup>2</sup>

**Specified Operating Environment**

Temperature: 16 to 32°C (60 to 90°F),

Humidity: 8 to 80% Relative Humidity, Altitude:

0 - 2896 Meters (9,500 Feet)

**License/Agreement Terms**

Printers are sold subject to certain license/agreement conditions. See [www.lexmark.com/printerlicense](http://www.lexmark.com/printerlicense) for details.

**Country of Origin**

China (PR)

**UNSPSC Code**

43212105

<sup>1</sup>This product includes software developed by the OpenSSL Project for use in the OpenSSL Toolkit. (<http://www.openssl.org/>)

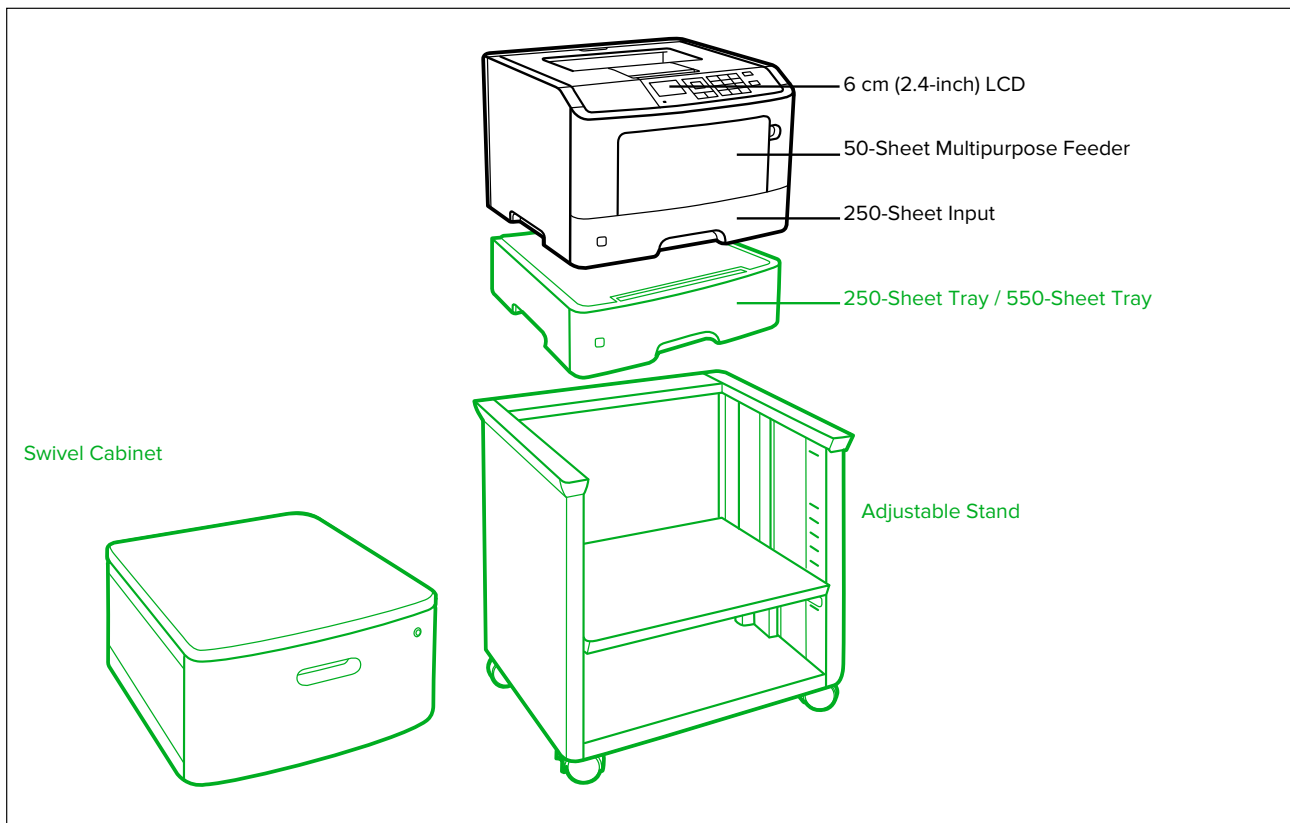
<sup>2</sup>"Recommended Monthly Page Volume" is a range of pages that helps customers evaluate Lexmark's product offerings based on the average number of pages customers plan to print on the device each month. Lexmark recommends that the number of pages per month be within the stated range for optimum device performance, based on factors including: supplies replacement intervals, paper loading intervals, speed, and typical customer usage.

<sup>3</sup>"Maximum Monthly Duty Cycle" is defined as the maximum number of pages a device could deliver in a month using a multishift operation. This metric provides a comparison of robustness in relation to other Lexmark printers and MFPs.

<sup>4</sup>Actual Yield may vary based on other factors such as device speed, paper size and feed orientation, toner coverage, tray source, percentage of black-only printing and average print job complexity.

<sup>5</sup>Average yield based on approximately 5% print coverage.

<sup>6</sup>Print and copy speeds measured in accordance with ISO/IEC 24734 and ISO/IEC 24735 respectively (ESAT). For more information see: [www.lexmark.com/ISOspeeds](http://www.lexmark.com/ISOspeeds).



- Standard
- Optional

**P/N Toner Cartridges**

24B6040	Imaging Unit
24B6213	Toner Cartridge

**P/N Paper Handling**

35S0267	250-Sheet Tray
35S0567	550-Sheet Tray
35S0367	550-Sheet Lockable Tray

**P/N Memory Options**

57X9101	256MB Flash Memory Card
57X9110	Traditional Chinese Font Card
57X9112	Simplified Chinese Font Card
57X9114	Korean Font Card
57X9115	Japanese Font Card

**P/N Connectivity**

1021294	USB (2 Meter) Cable
27X0128	MarkNet N8352 802.11b/g/n Wireless Print Server Kit
27X0135	MarkNet N8352 Wireless Print Server plus NFC
SPD0002	Surge Protective Device, 220-240V

**P/N Extended Warranties**

2359517	M1140+ 1-Year Renewal Parts Only Guarantee with Maintenance kit
2359638	M1140+ Upgrade to Parts and Labour, Total 4 years (1+3)
2359640	M1140+ 1-Year Renewal Parts and Labour with Maintenance kit
2357364	M1140+ Upgrade to Onsite Service, Total 4 years (1+3)
2359566	M1140+ 1-Year Renewal Onsite Service with Maintenance kit

**P/N User Replaceable Parts**

41X0918	Pick Tire
---------	-----------

**P/N User Replaceable Parts**

40X8443	Tray Pick roller assembly
---------	---------------------------

**P/N Installation Service**

2355247	Standard Installation Service
---------	-------------------------------

**P/N Service Parts**

40X8295	MPF pick roller and separator pad
40X8393	Transfer roll
40X8444	Separator roll assembly
40X8298	Redrive assembly
40X8024	Fuser, 220-240V